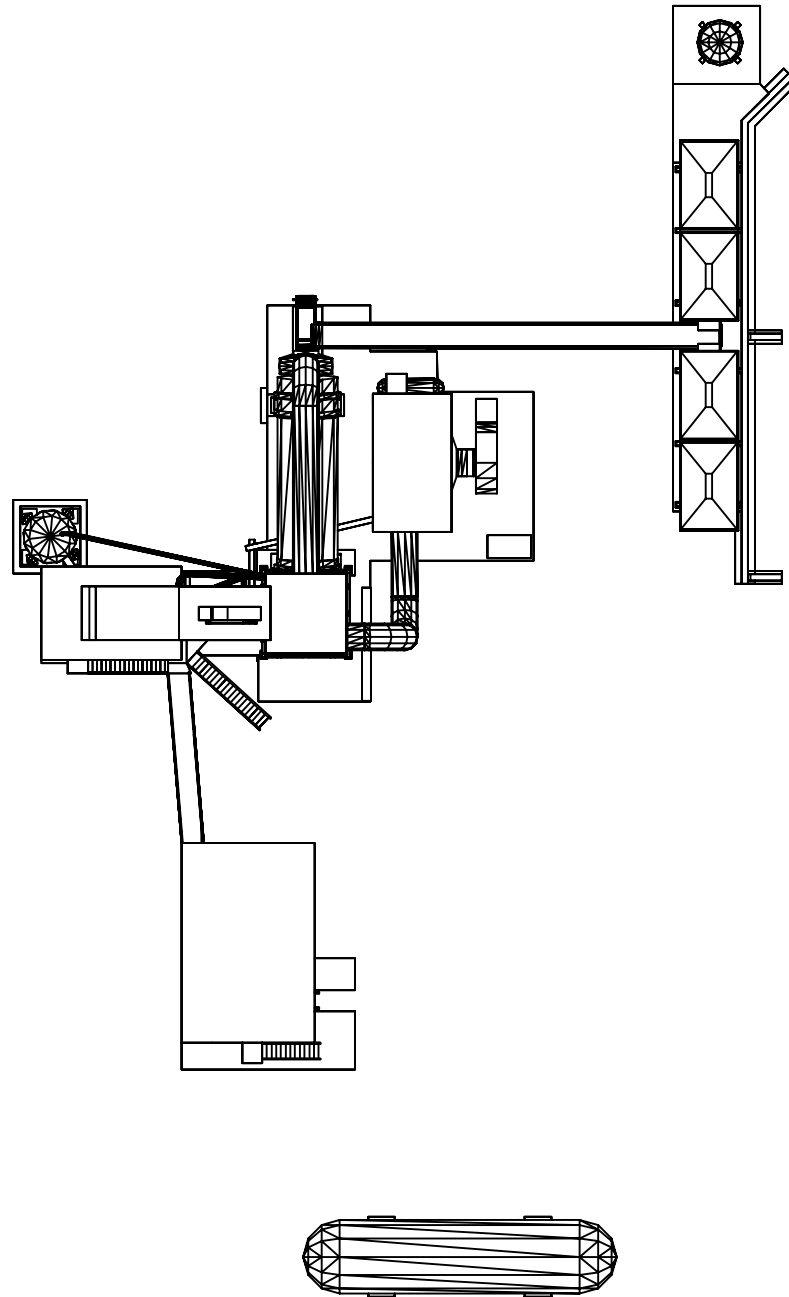


# TOP VIEW

NOT TO SCALE

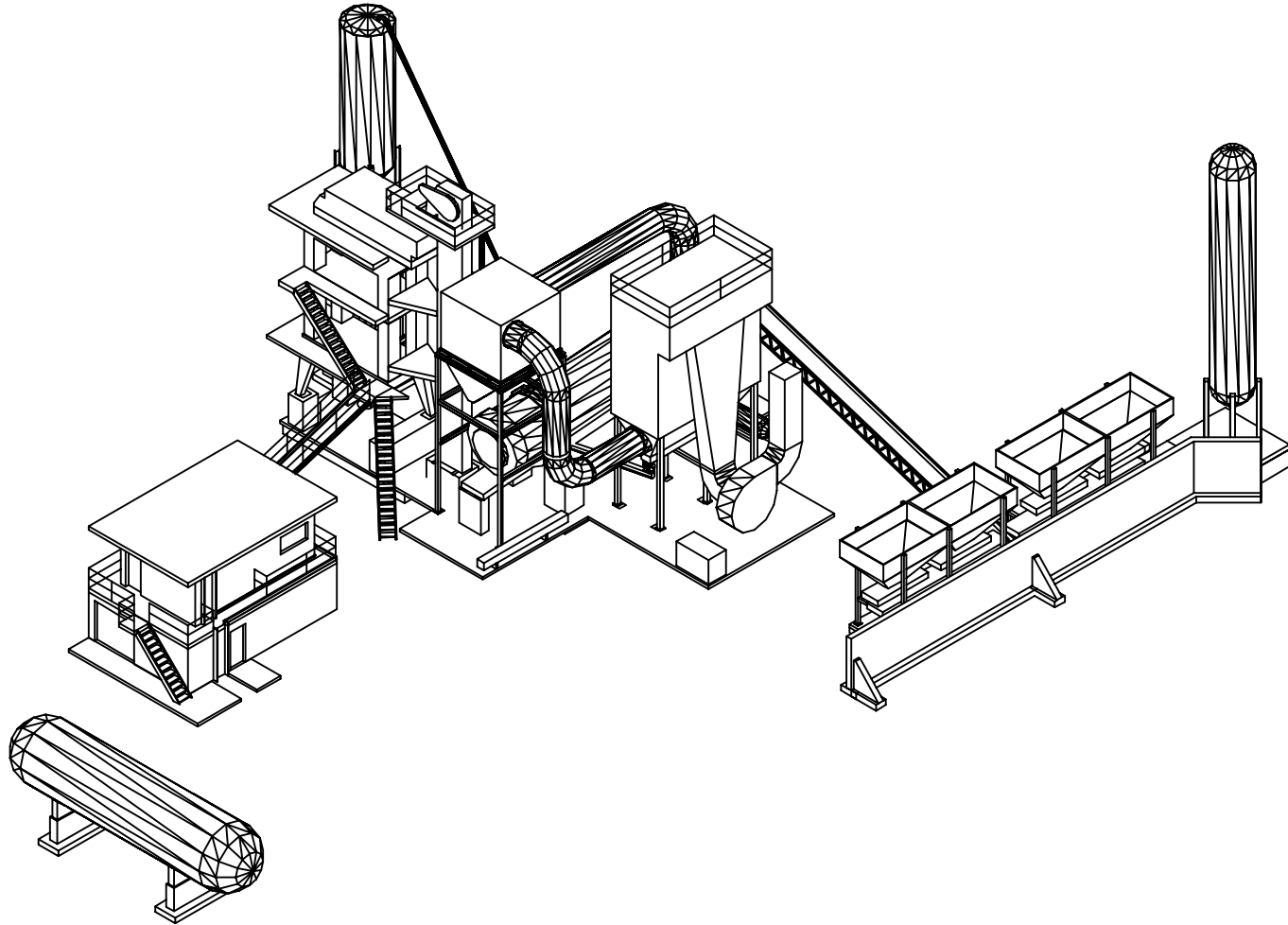
3D ASPHALT PLANT NEW.DWG



# SE ISOMETRIC VIEW

NOT TO SCALE

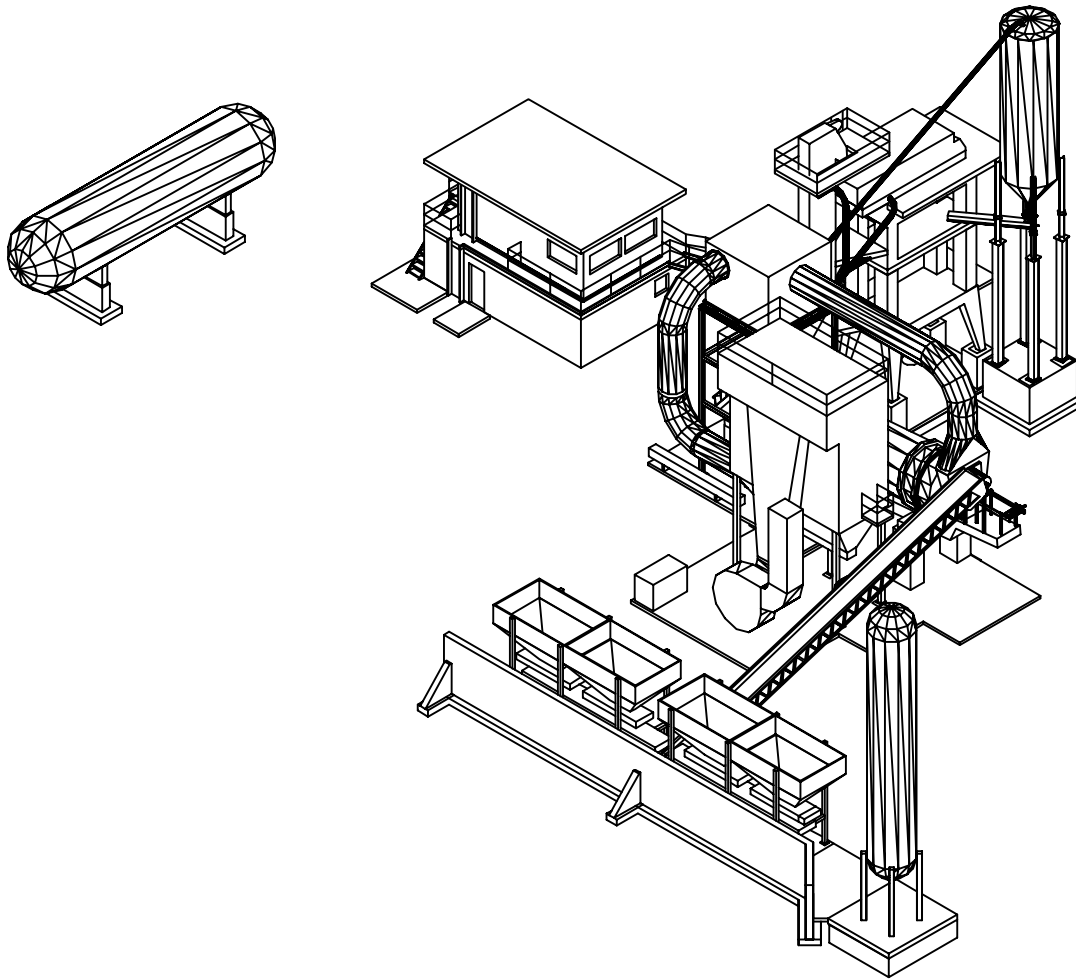
3D ASPHALT PLANT NEW.DWG



# NE ISOMETRIC VIEW

NOT TO SCALE

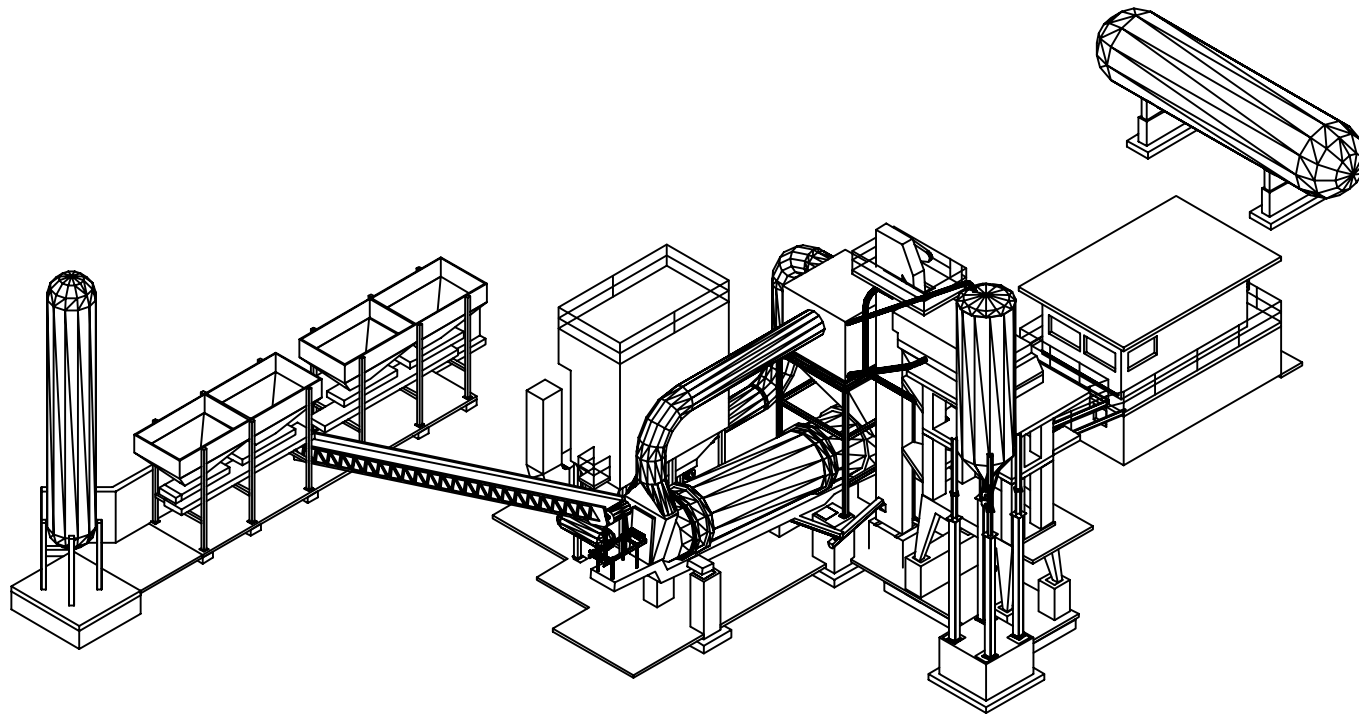
3D ASPHALT PLANT NEW.DWG



# NW ISOMETRIC VIEW

NOT TO SCALE

3D ASPHALT PLANT NEW.DWG



SW VIEW

NOT TO SCALE

3D ASPHALT PLANT NEW.DWG

